

Last modified by Denis at 2022-01-11 13:24:15

ModelName: Purastream-2-UEK-AW.asm

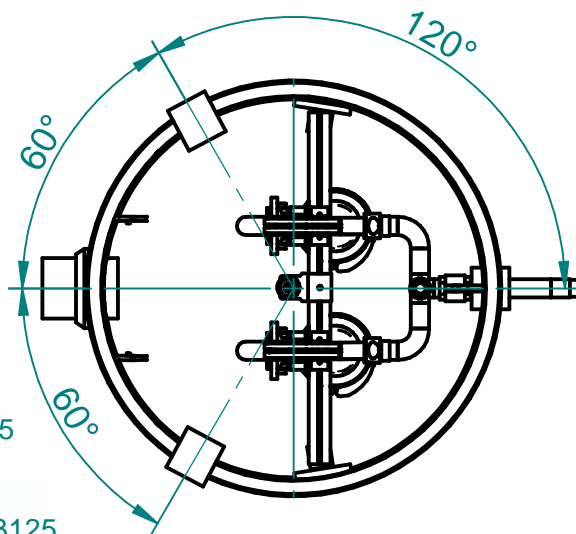
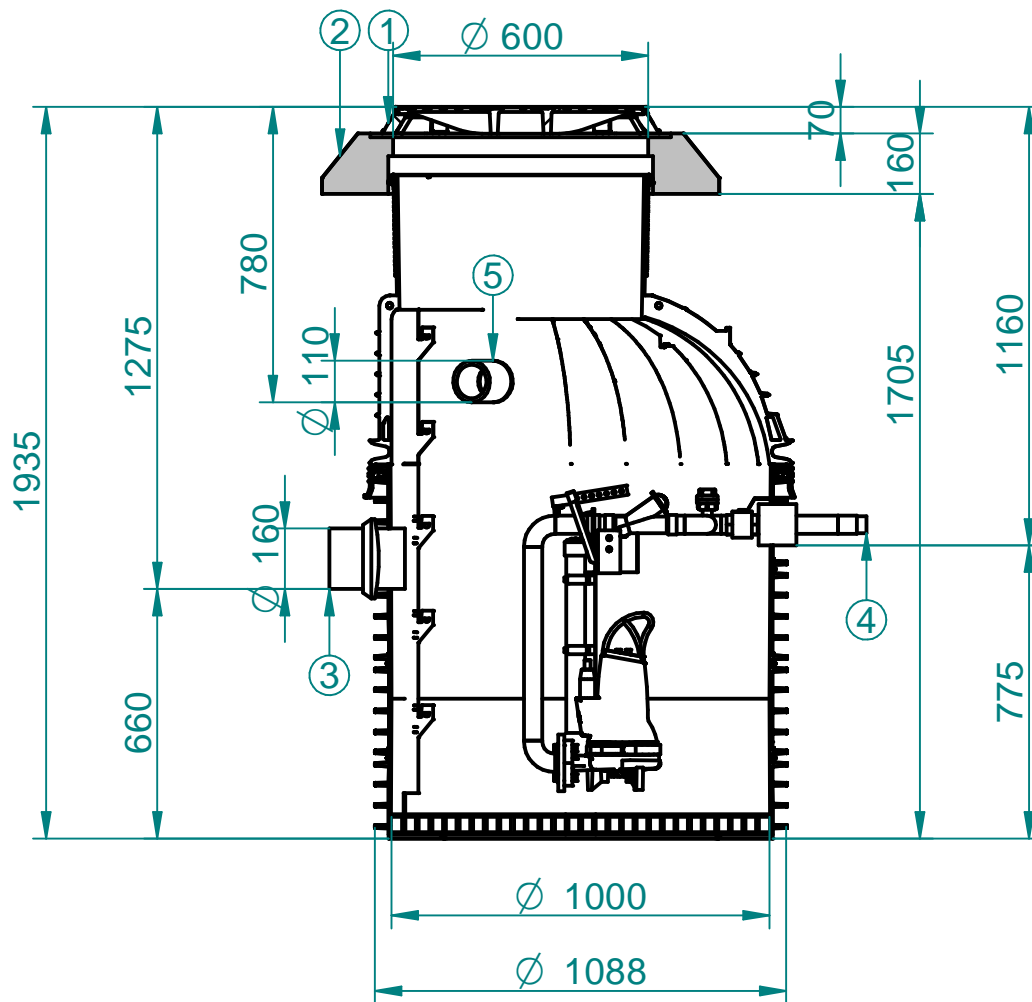
DocName: PURASTREAM-2-UEKAWB_TZdft.dft

Urheberschutz nach
Copy right acc. to
Droit d'auteur selon

ISO 16016

Wallner & Neubert GmbH

CAD Original by SOLID EDGE
ANY modification in CAD ONLY



- ① Schachtabdeckung Kl. B125
- ② Lastabtragring aus Beton für Schachtabdeckung Kl. B125
- ③ Zulaufanschluss DN150 (DN200 auf Anfrage)
- ④ Druckleitungsanschluss $\frac{6}{4}$ " Edelstahl
- ⑤ 1x Kabeldurchführung DN100
1x Be- und Entlüftung DN100

| | | | | | | | |
|------|---------|--------------------------|------|----------------------------|--|----------------------|--|
| | | edges ISO 13715 | | scale 1:20 mass 1005 kg | | standard | |
| | | according to ISO 8015 | | material | | | |
| | | date | | username | | name | |
| | | modeled 31.12.2020 | | Catic | | PURASTREAM-2-UEKAWB | |
| | | drawn 06.12.2021 | | Catic | | PS-2-UEKAWB | |
| | | checked | | | | PURASTREAM-2-UEKAWB | |
| | | | | | | draw# | |
| | | | | | | PS-2-UEKAWB-PWN-TZ-A | |
| | | | | | | Index | |
| | | | | | | BVH: Systemskizze | |
| rev. | comment | date | name | | | | |

purator™