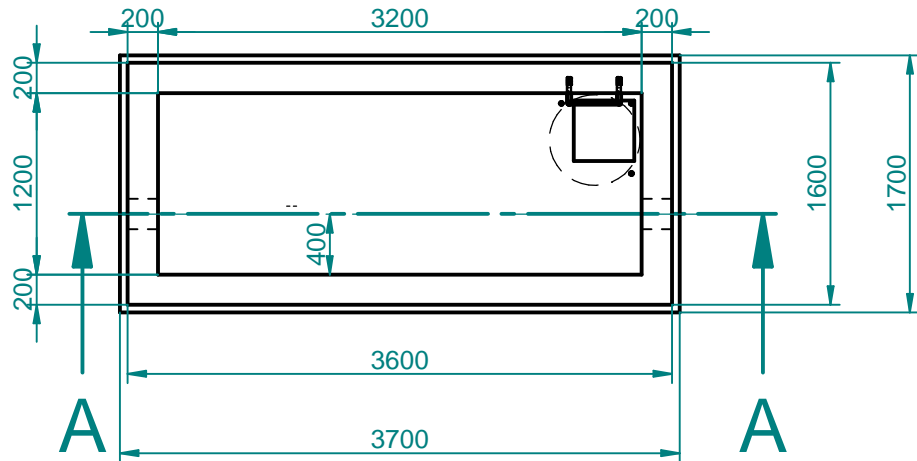
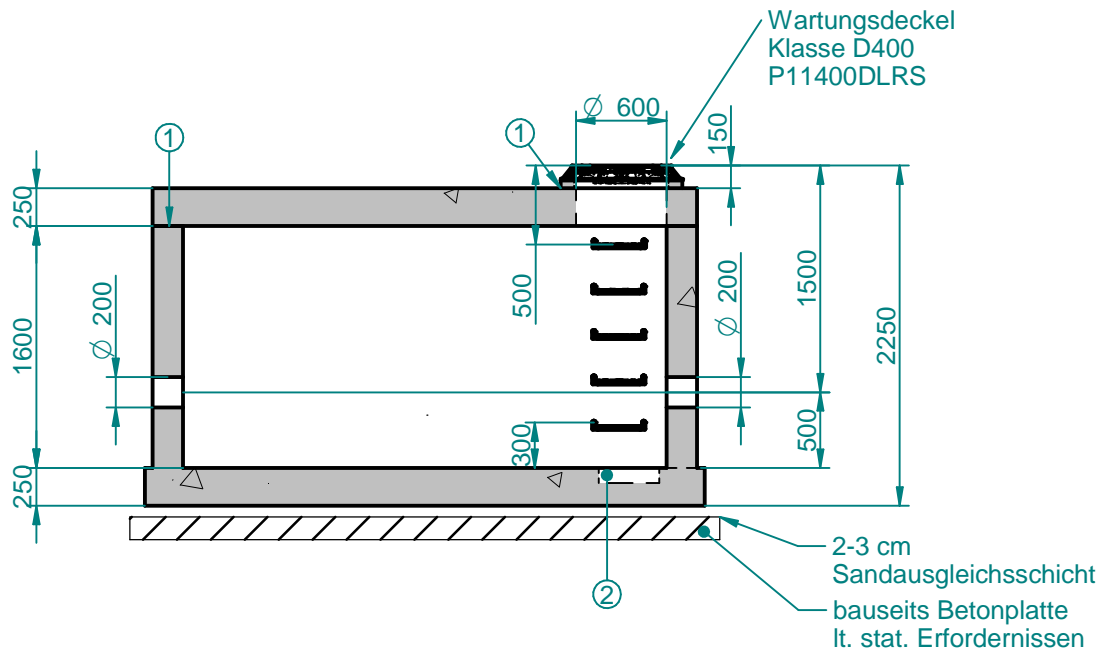


Section A-A



- ① Wasserdichtes verkleben bauseits
- ② Pumpensumpf 400x400x100mm

		edges ISO 13715		scale mass	standard
		according to ISO 8015		material- Beton	
		date		name	
		modeled	11.03.2025	Wasserzählerschacht DN80	
		drawn	11.03.2025	WA-SCH-3212-D	
		checked	11.03.2025		
				draw#	Index
				WA-SCH-3212-D-5514-AT-A	
rev.	comment	date	name	BVH:	