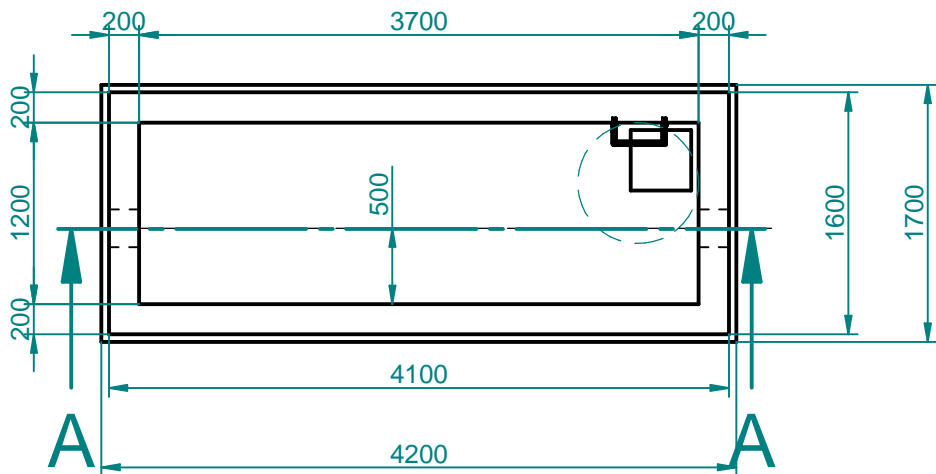
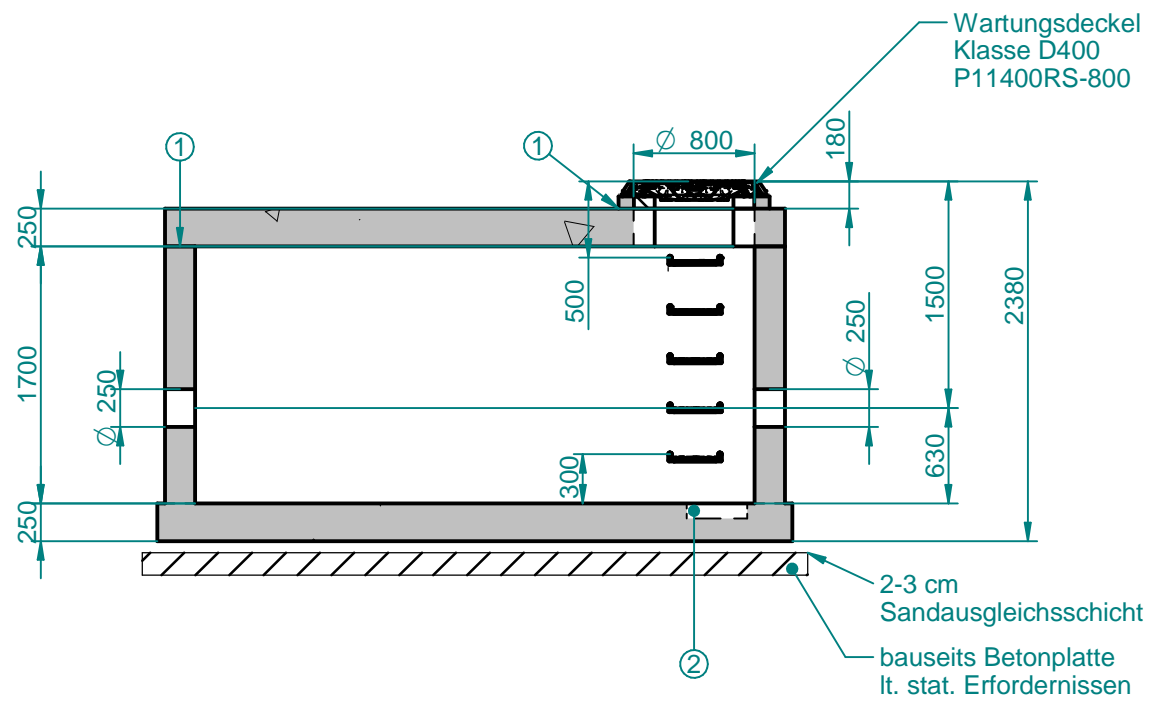


Section A-A



- ① Wasserdichtes verkleben bauseits
- ② Pumpensumpf 400x400x100mm

		edges ISO 13715		scale mass	standard
		according to ISO 8015		material Beton	
		date		name	
		modeled 11.03.2025		Wasserzählerschacht DN100	
		drawn 11.03.2025		WA-SCH-3712-D	
		checked 11.03.2025			
		username		draw#	
		M.P.		WA-SCH-3712-D-5514-AT-D	
		M.P.		Index	
		A.B.		BVH:	
		purator™			
rev.	comment	date	name		