

CAD Original by SOLID EDGE
 ANY modification in CAD ONLY

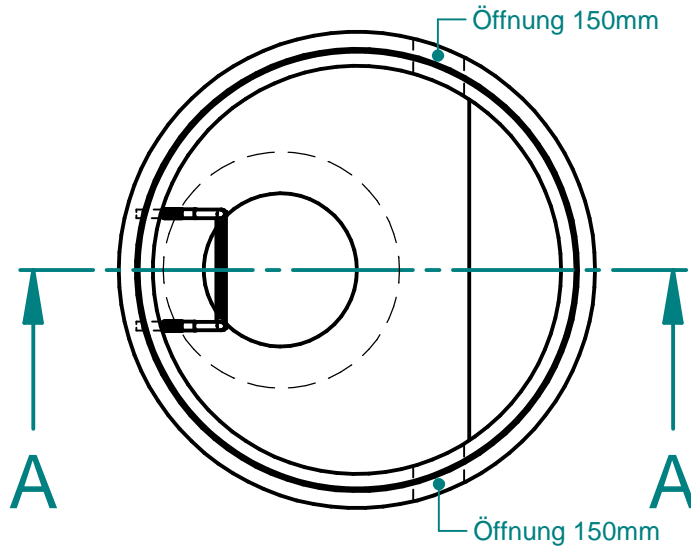
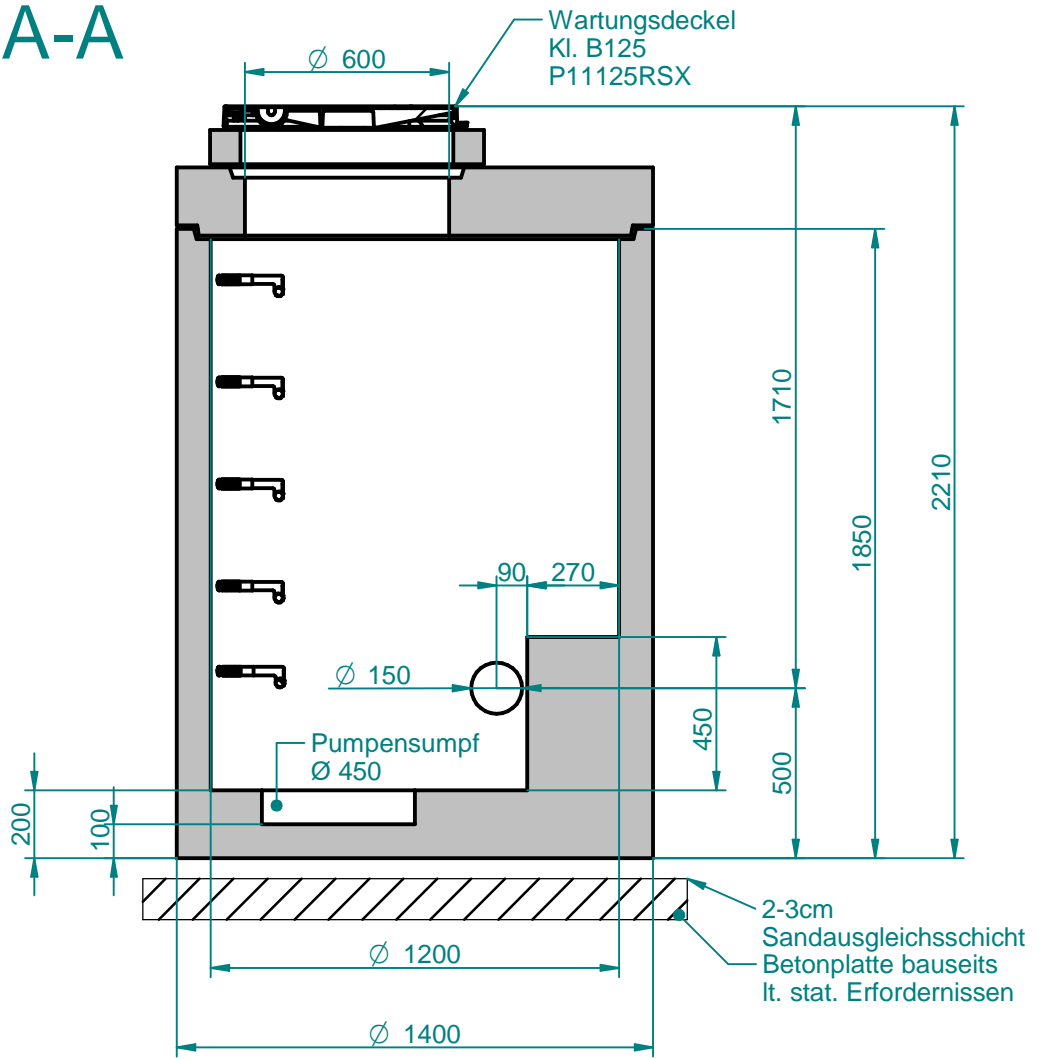
Wallner & Neubert GmbH

ISO 16016

Urheberschutz nach
 Copy right acc. to
 Droit d'auteur selon

Last modified by User1 at 2025-03-17 09:50:46
 ModelName: WA-SCH120B.asm
 DocName: WA-SCH120B.dft

Section A-A



Ausführung entsprechend der Vorgaben der MA31

| | | | | | | | |
|------|---------|--------------------------|------|----------------------|--|---------------------------|--|
| | | edges ISO 13715 | | scale mass | | standard | |
| | | according to ISO 8015 | | material Beton | | | |
| | | date | | username | | name | |
| | | modeled 17.03.2025 | | M.P. | | Wasserschächtschacht DN25 | |
| | | drawn 17.03.2025 | | M.P. | | Klasse B125 | |
| | | checked 17.03.2025 | | A.B. | | WA-SCH120B | |
| | | | | draw# | | Index | |
| | | | | WA-SCH120B-5085-AT-A | | | |
| rev. | comment | date | name | BVH: | | | |