

Last modified by User1 at 2026-01-12 14:07:16

ModelName: K-KZS-BAR.par

DocName: K-KZS-BAR.dft

Urheberschutz nach
Copy right acc. to
Droit d'auteur selon

ISO 16016

Wallner & Neubert GmbH

CAD Original by SOLID EDGE
ANY modification in CAD ONLY

1 2 3 4 5

A

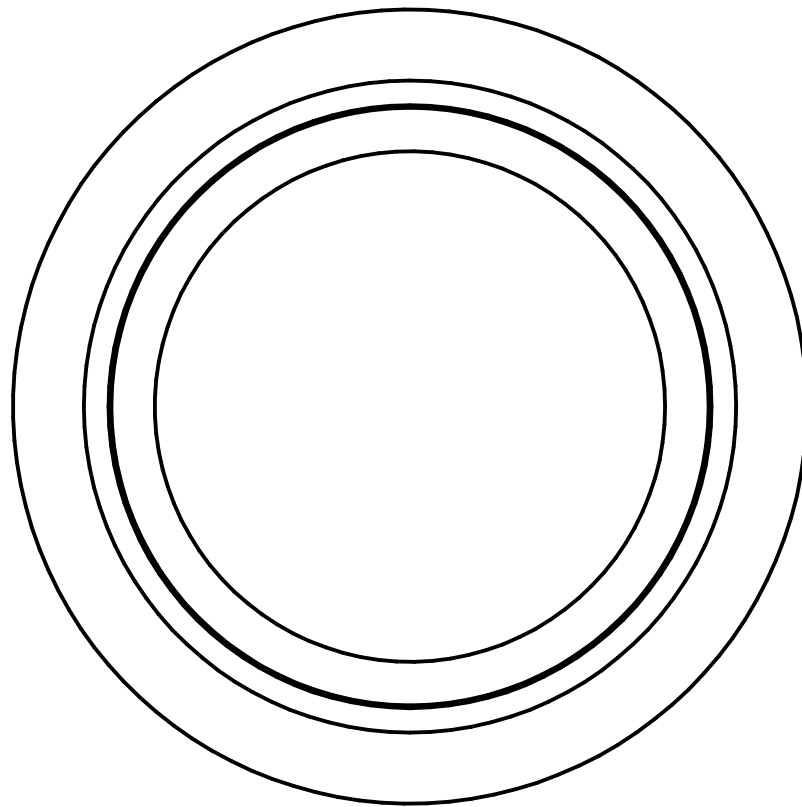
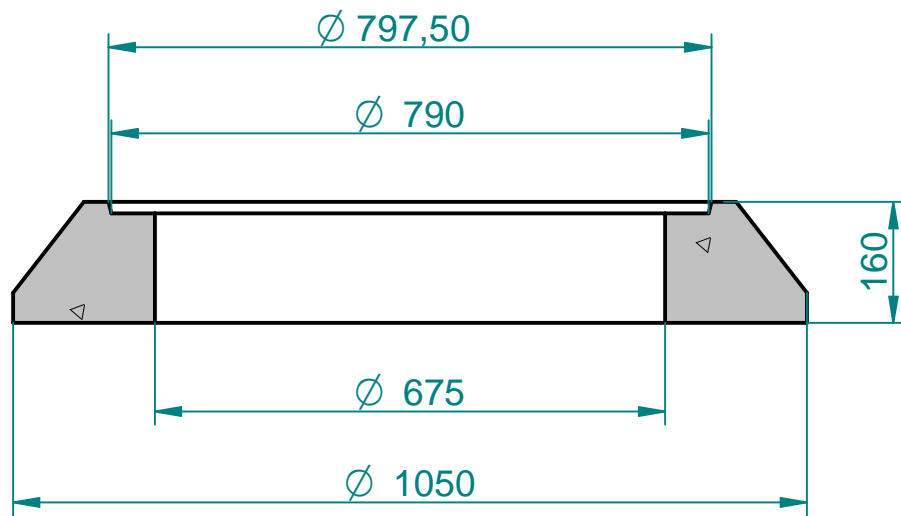
B

C

D

E

F



				edges ISO 13715		scale 1:20	standard
				according to ISO 8015		mass	
						material Concrete C18/22.5	
				date		name	
				modeled 12.01.2026		Betonauflagerahmen	
				drawn 12.01.2026		K-KZS-BAR	
				checked 12.01.2026		Typenzeichnung	
						draw# K-KZS-BAR-1711-TZ-A	
						Index	
rev.	comment	date	name	BVH: -			