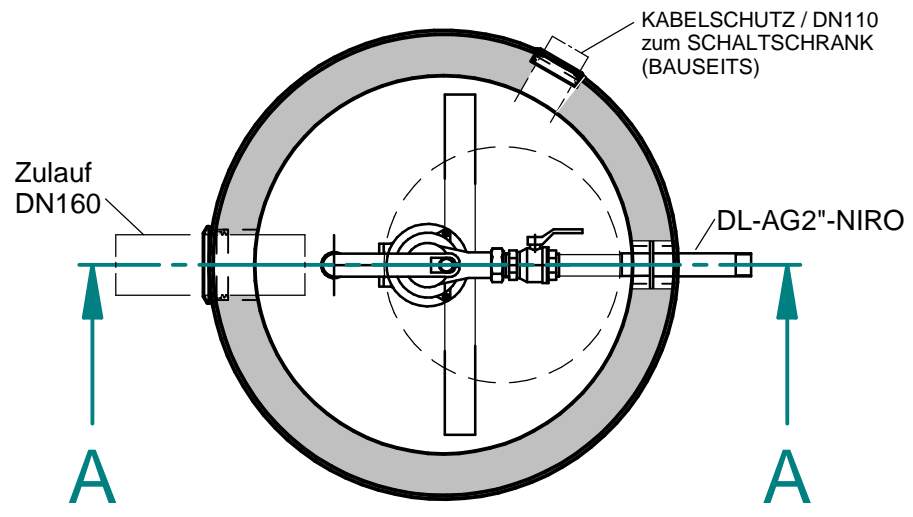
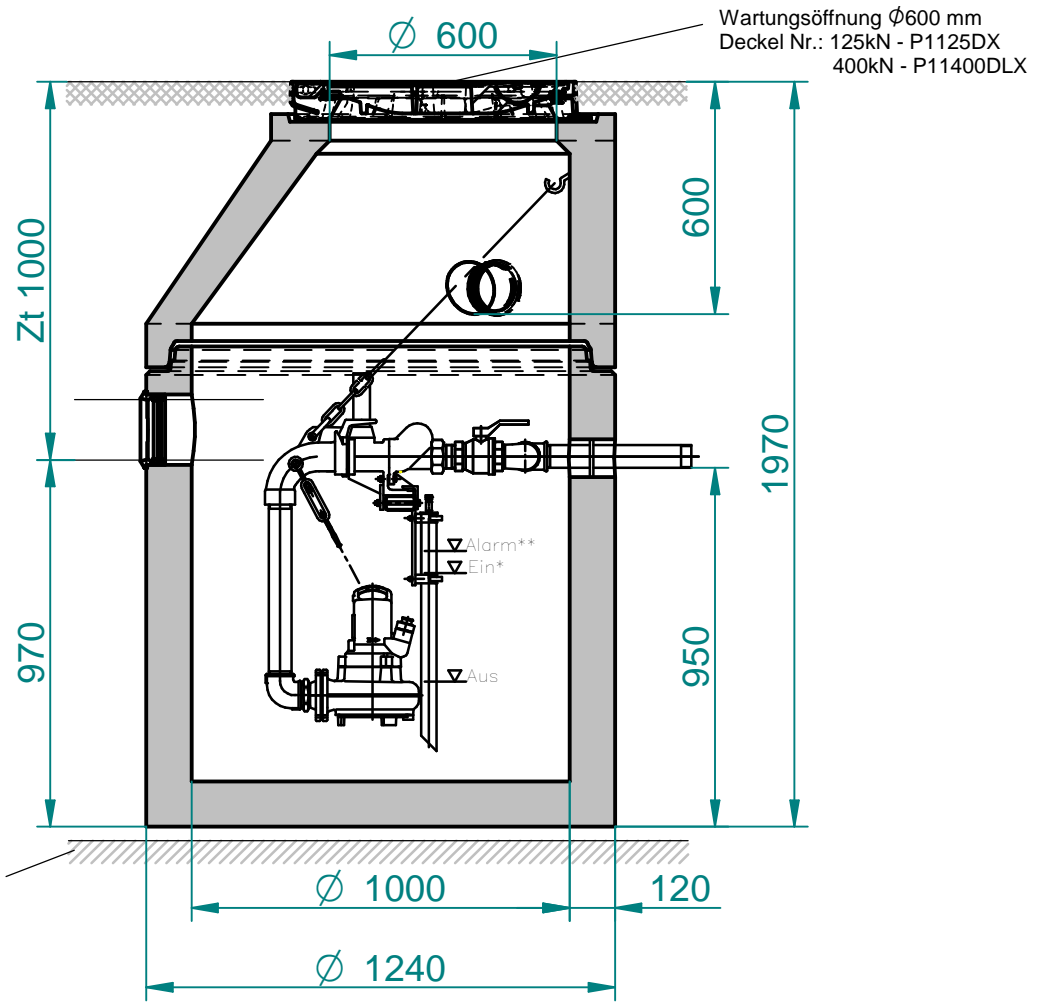


1 2 3 4 5

Section A-A



		edges ISO 13715		scale 1:20	standard	
		according to ISO 8015		mass 2127 kg		
				material		
		date	username	name		
		modeled	10.02.2015 Unger	Fertigungspschacht		
		drawn	31.03.2015 Unger			
		checked	31.03.2015 Bauer			
					draw#	Index
					PURACONTA-1-5085-AT-A	
rev.	comment	date	name	BVH:		