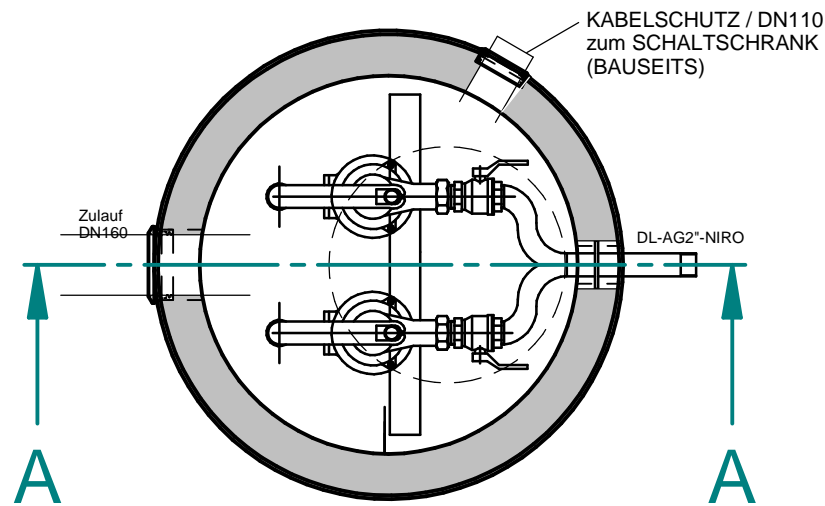
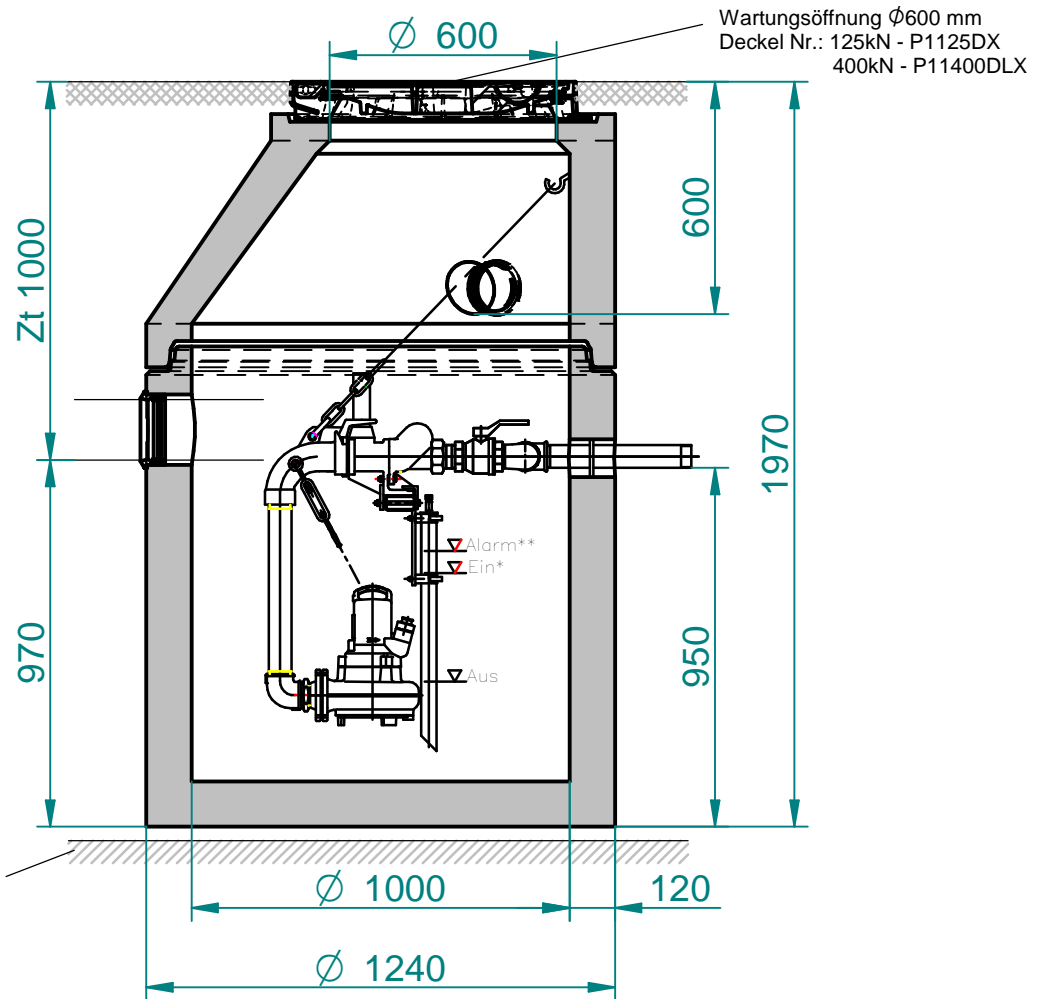


1 2 3 4 5

Section A-A



| | | | | | |
|------|---------|--------------------------|------|-----------------------------|----------|
| | | edges ISO 13715 | | scale 1:20 | standard |
| | | according to ISO 8015 | | mass 2127 kg | |
| | | | | material | |
| | | date | | name | |
| | | username | | Fertigpumpschacht | |
| | | modeled 10.02.2015 Unger | | PURACONTA-1 | |
| | | drawn 10.02.2015 Unger | | | |
| | | checked 10.02.2015 Bauer | | | |
| | | | | draw# PURACONTA-1-5085-AT-A | |
| | | | | Index | |
| rev. | comment | date | name | BVH: | |