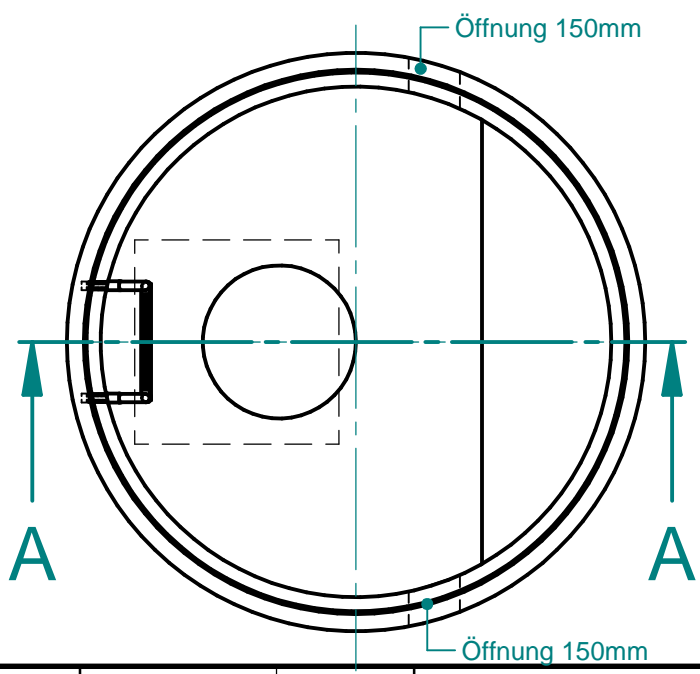
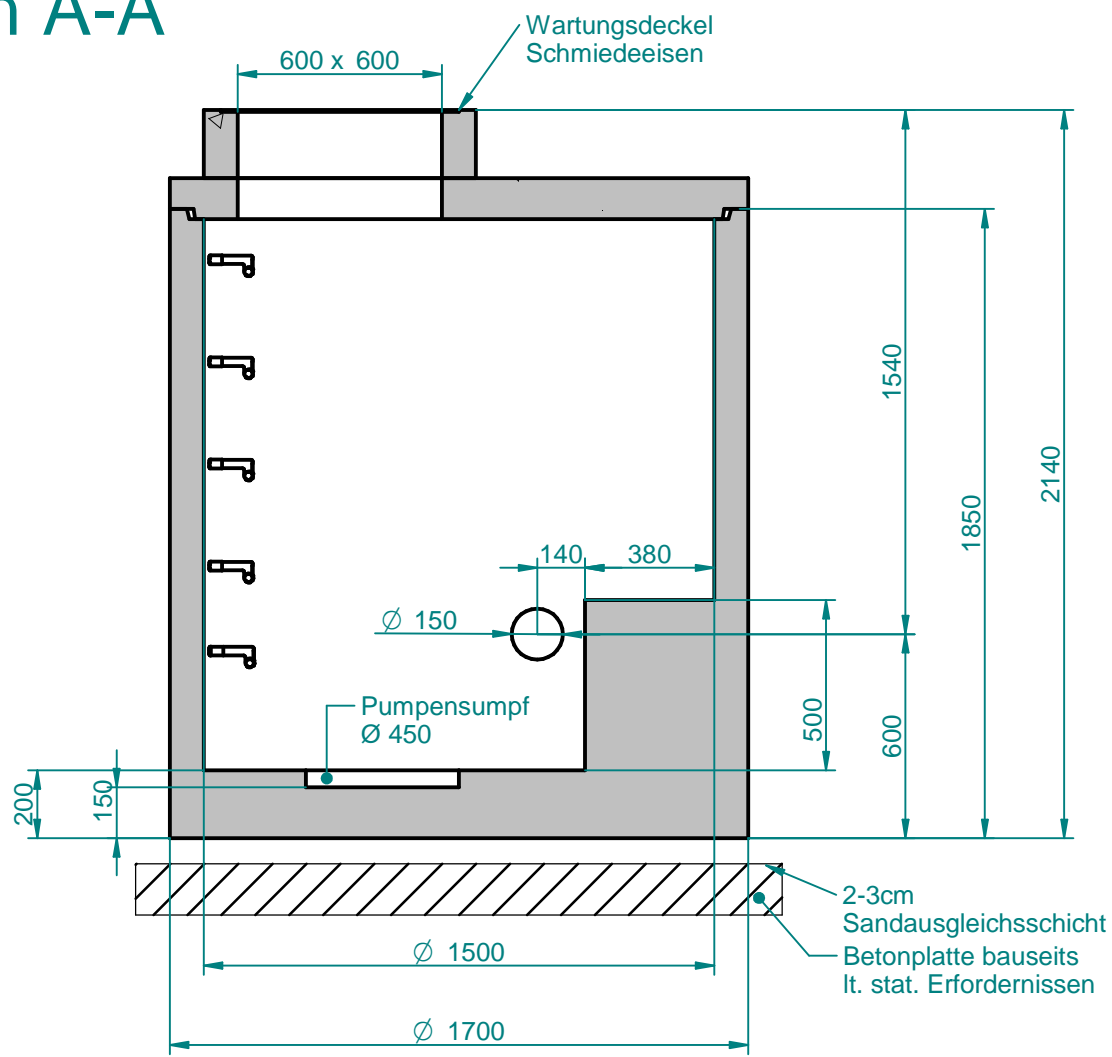


# Section A-A



		edges ISO 13715		scale mass	standard
		according to ISO 8015		material Beton	
		date 13.02.2026		name Wasserschächtschacht DN40	
		username M.P.		Riffelblech begehbar	
		modeled 13.02.2026		WA-SCH150-1065A	
		drawn 13.02.2026			
		checked 13.02.2026			
				draw# WA-SCH150-1065A-5085-AT-A	
				Index	
				BVH:	
rev.	comment	date	name		

