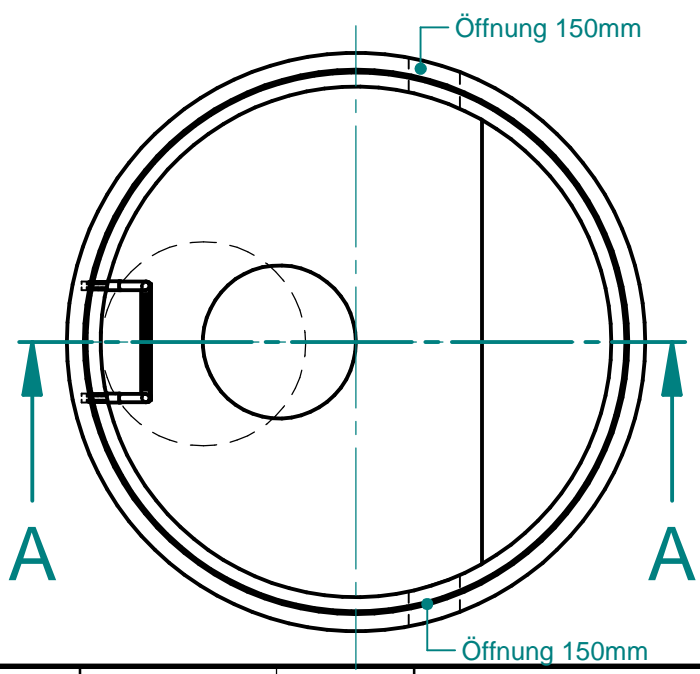
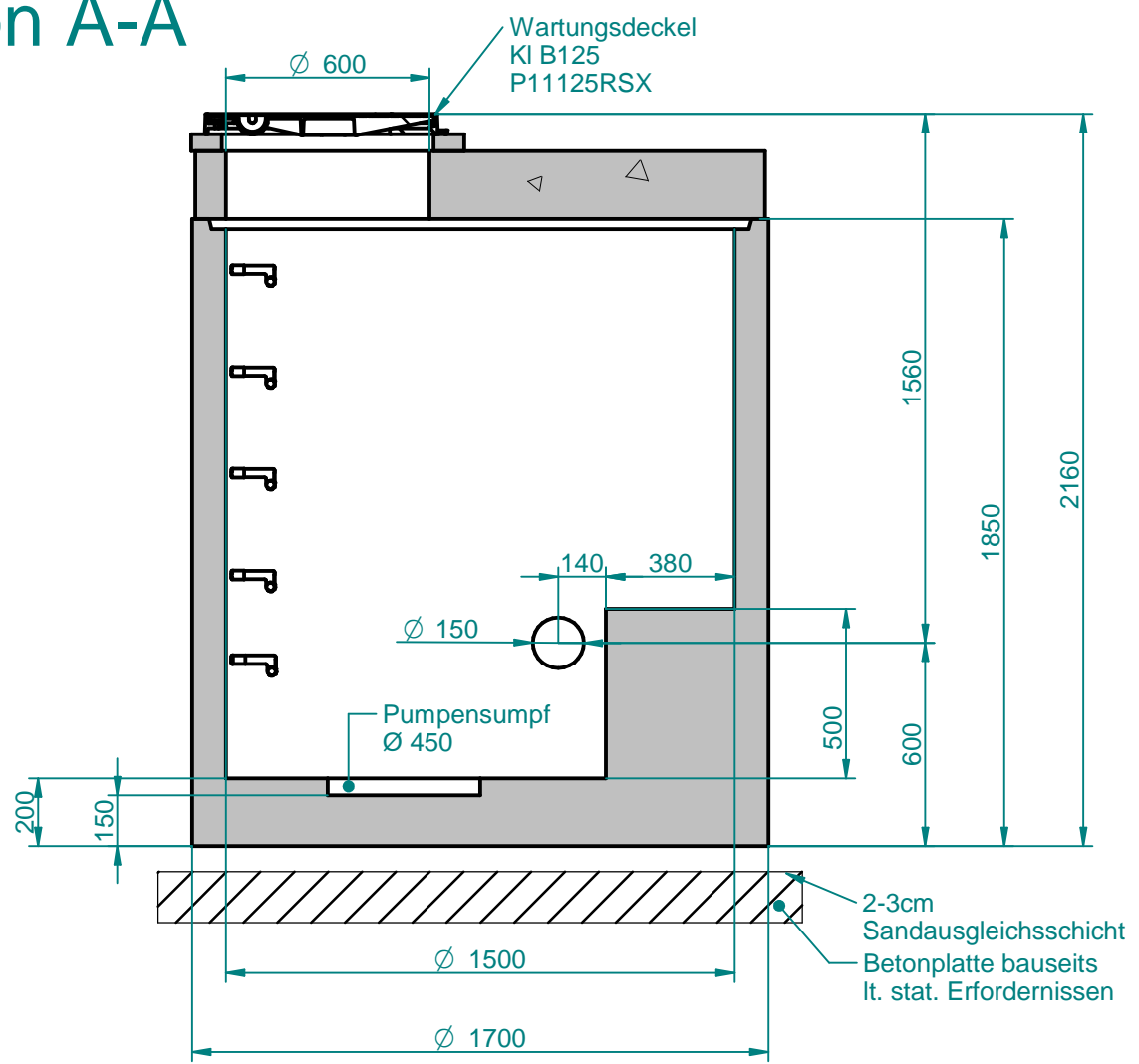


Section A-A



		edges ISO 13715		scale mass		standard	
		according to ISO 8015		material Beton			
		date		username		name	
		modeled 13.02.2026		M.P.		Wasserschächtschacht DN40	
		drawn 13.02.2026		M.P.		Klasse B125	
		checked 13.02.2026		M.P.		WA-SCH150B	
				draw#		Index	
				WA-SCH150B-5085-AT-A			
rev.	comment	date	name		BVH:		