

CAD Original by SOLID EDGE
 ANY modification in CAD ONLY

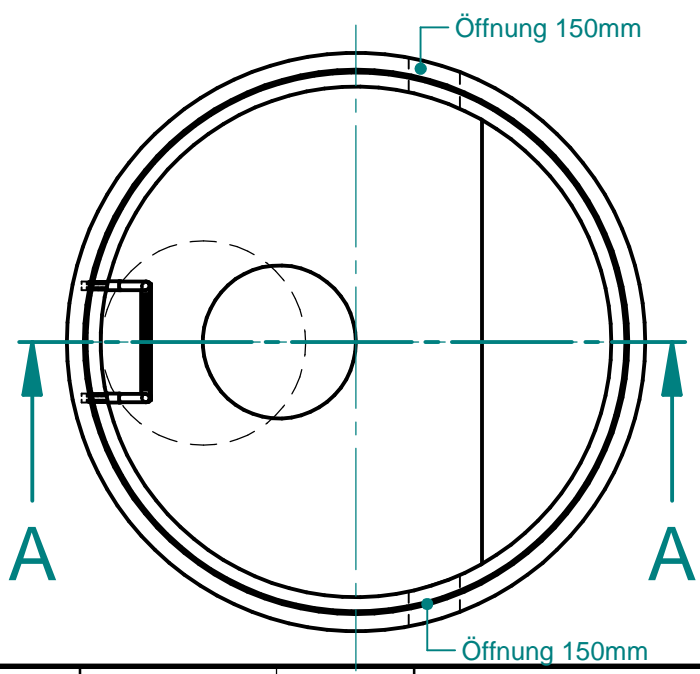
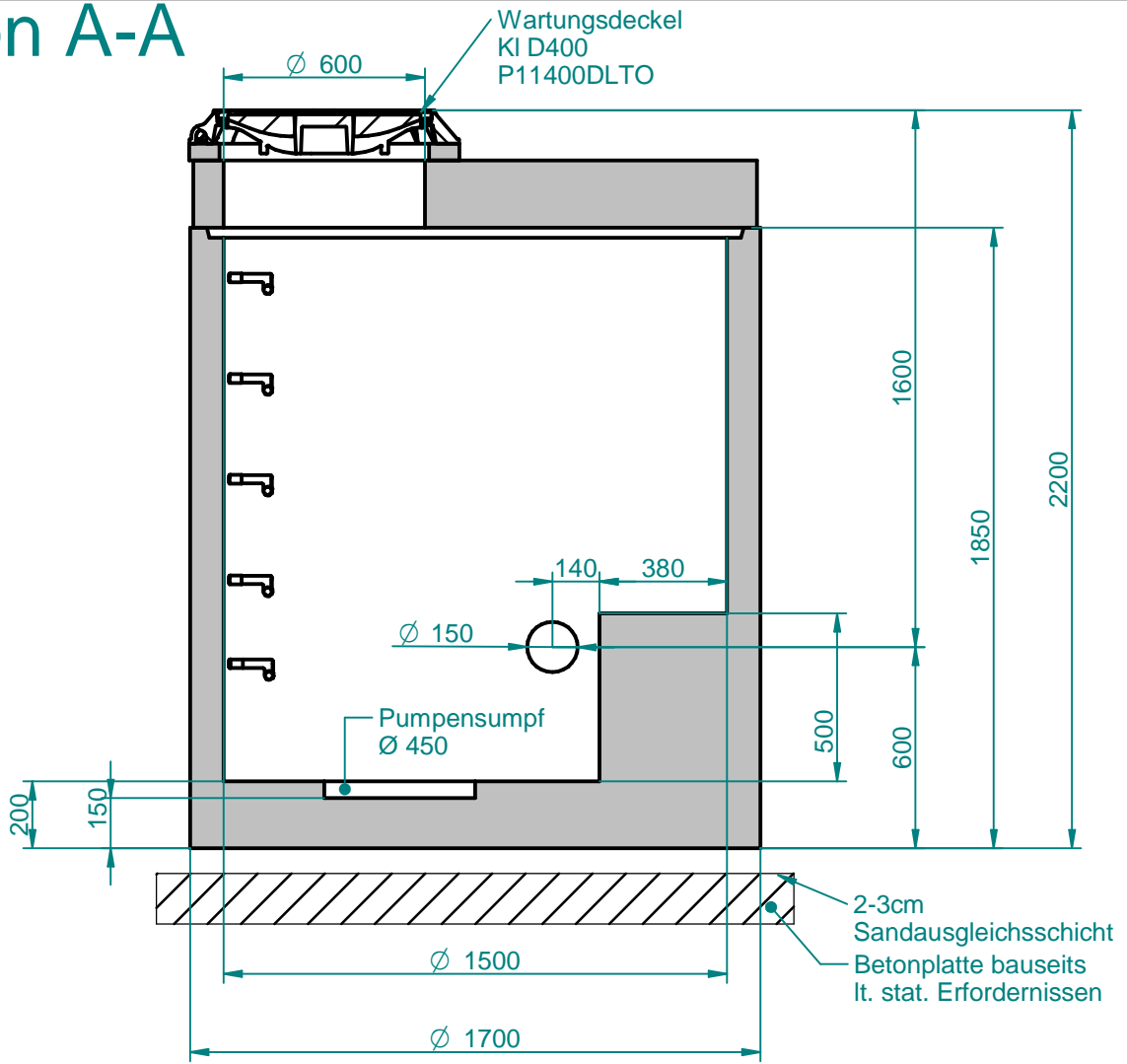
Wallner & Neubert GmbH

ISO 16016

Urheberschutz nach
 Copy right acc. to
 Droit d'auteur selon

Last modified by User1 at 2026-02-17 13:22:12
 ModelName: WA-SCH150D.asm
 DocName: WA-SCH150D.dft

Section A-A



		edges ISO 13715		scale mass		standard	
		according to ISO 8015		material Beton			
		date		username		name	
		modeled 13.02.2026		M.P.		Wasserschächtschacht DN40	
		drawn 13.02.2026		M.P.		Klasse D400	
		checked 13.02.2026		M.P.		WA-SCH150D	
				draw#		Index	
				WA-SCH150D-5085-AT-A			
rev.	comment	date	name	BVH:			